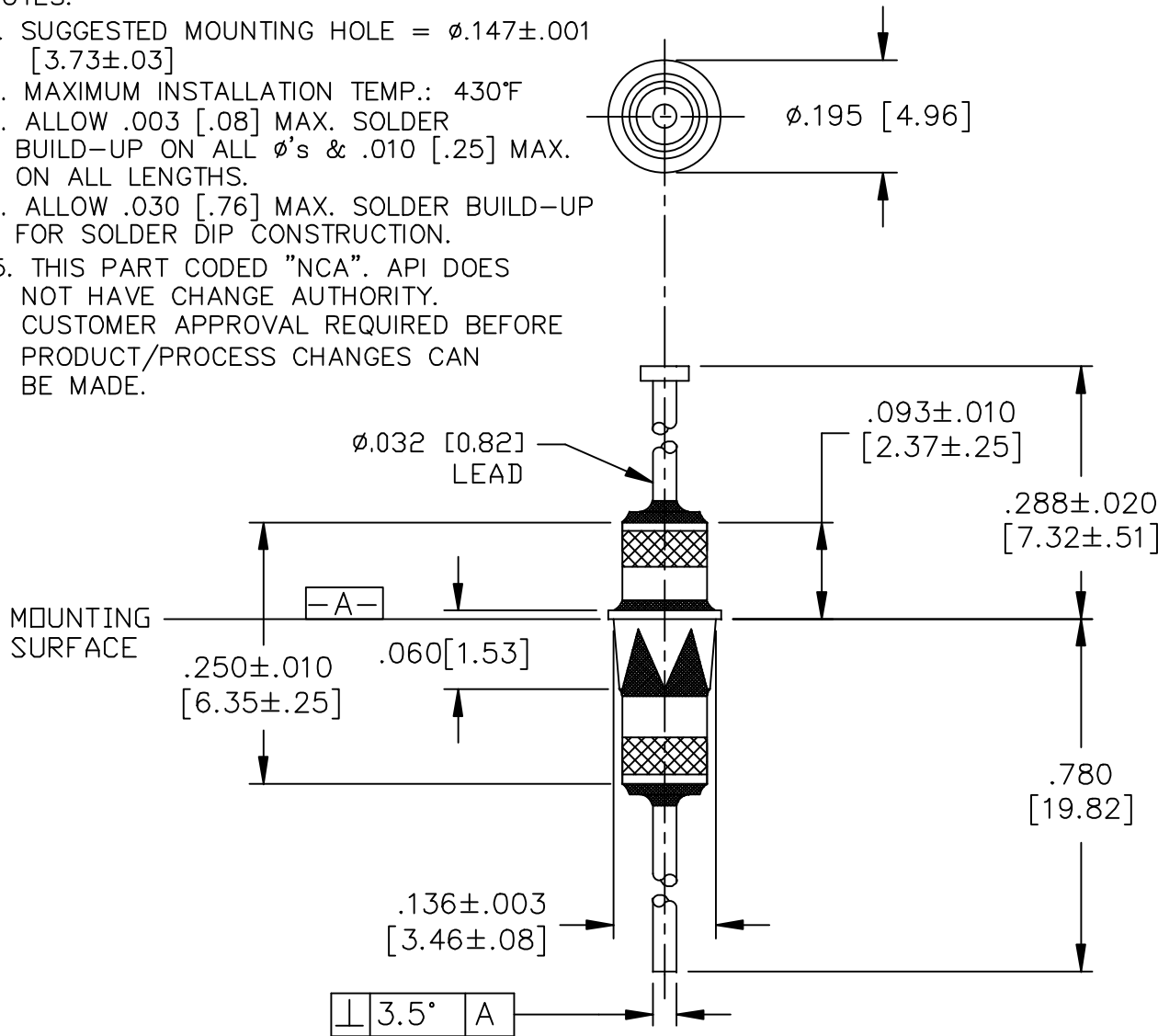


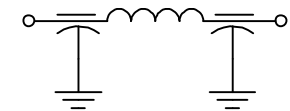
NOTES:

1. SUGGESTED MOUNTING HOLE = $\phi.147 \pm .001$ [3.73 ± .03]
2. MAXIMUM INSTALLATION TEMP.: 430°F
3. ALLOW .003 [.08] MAX. SOLDER BUILD-UP ON ALL ϕ 's & .010 [.25] MAX. ON ALL LENGTHS.
4. ALLOW .030 [.76] MAX. SOLDER BUILD-UP FOR SOLDER DIP CONSTRUCTION.
5. THIS PART CODED "NCA". API DOES NOT HAVE CHANGE AUTHORITY. CUSTOMER APPROVAL REQUIRED BEFORE PRODUCT/PROCESS CHANGES CAN BE MADE.



LEAD FINISH: SOLDER	
EYELET FINISH: SOLDER	
CAPACITANCE	1750pF MIN.
TEMP. RANGE	-55°C TO 125°C
CURRENT	10 AMP MAX.
WORKING VOLTAGE	85°C -- VDC MAX. 125°C 125 VDC MAX.
D.C. RESISTANCE	.01ohms MAX.
MIN. I.L. PER MIL-STD-220 AT 25°C NO LOAD	
FREQ. MHz	I.L. (db)
20	10
50	35
100	50
200	50
500	60
1-10 GHz	60

SCHEMATIC



MARKING: PART: NONE
 BUBBLE: WHITE FOAM
 MIL 15733/33-0001
 OLSP2
 DATE CODE
 125VDC
 125°C MAX. OPER. TEMP.
 10 AMPS
 QTY.
 P.O. NO.

	50	49	48	REV. NO.	TOLERANCES UNLESS OTHERWISE SPECIFIED
	ECN 22863	CN 60005-ENG	CN 184980 REDRAWN	CHANGE NOTICE	Fractions ± 1/64
					Dec. .xx±
					Dec. .xxx±.005[.127]
					Angles ±0° 30'
					CODE IDENT. NO. OLSP2

api technologies corp.

FAIRVIEW PENNSYLVANIA

Dwn. KAUFFMAN

Description

Date 8-5-11

Pi SOLDER-IN FILTER

Apvd. McALEVY

51-707-006

Scale NONE