

## Normally – OFF Silicon Carbide Super Junction Transistor

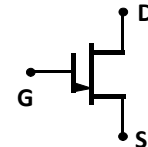
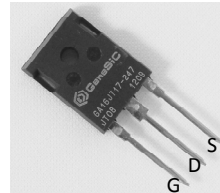
$V_{DS}$	=	1700 V
$V_{DS(ON)}$	=	2.0 V
$I_D$	=	16 A
$R_{DS(ON)}$	=	110 mΩ

### Features

- 175 °C maximum operating temperature
- Temperature independent switching performance
- Gate oxide free SiC switch
- Suitable for connecting an anti-parallel diode
- Positive temperature coefficient for easy paralleling
- Low gate charge
- Low intrinsic capacitance

### Package

- RoHS Compliant



**TO-247AB**

### Advantages

- Low switching losses
- Higher efficiency
- High temperature operation
- High short circuit withstand capability

### Applications

- Down Hole Oil Drilling, Geothermal Instrumentation
- Hybrid Electric Vehicles (HEV)
- Solar Inverters
- Switched-Mode Power Supply (SMPS)
- Power Factor Correction (PFC)
- Induction Heating
- Uninterruptible Power Supply (UPS)
- Motor Drives

### Maximum Ratings unless otherwise specified

Parameter	Symbol	Conditions	Values	Unit
Drain – Source Voltage	$V_{DS}$	$V_{GS} = 0 V$	1700	V
Continuous Drain Current	$I_D$	$T_{C,MAX} = 90 °C$	16	A
Gate Peak Current	$I_{GM}$		5	A
Reverse Gate – Source Voltage	$V_{SG}$		50	V
Reverse Drain – Source Voltage	$V_{SD}$		40	V
Power Dissipation	$P_{tot}$	$T_C = 25 °C$	32	W
Storage Temperature	$T_{stg}$		-55 to 175	°C

### Electrical Characteristics at $T_j = 175 °C$ , unless otherwise specified

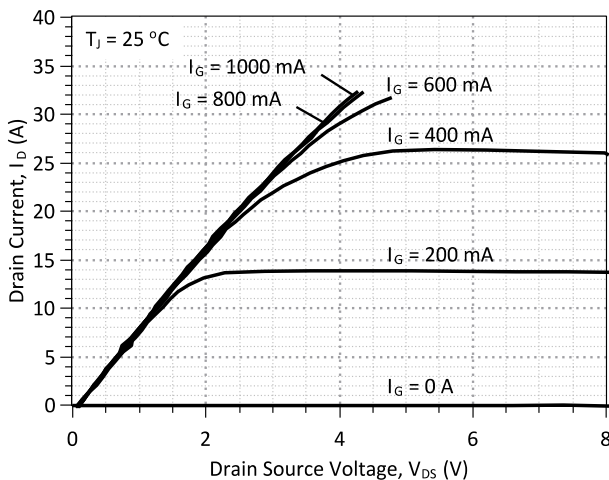
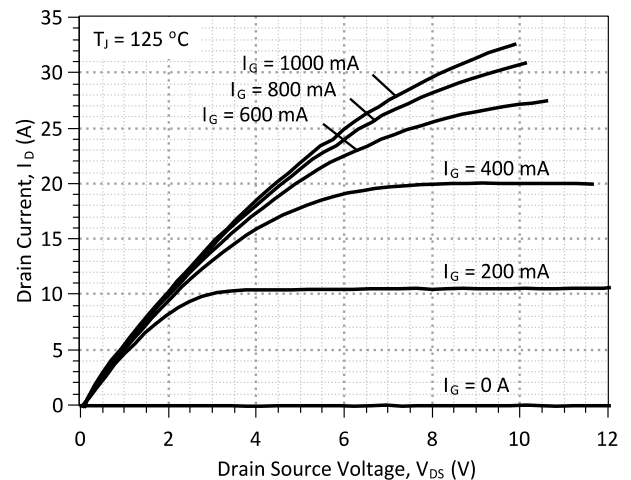
Parameter	Symbol	Conditions	Values			Unit
			min.	typ.	max.	
<b>On Characteristics</b>						
Drain – Source On Voltage	$V_{DS(ON)}$	$I_D = 16 A, I_G = 1000 mA, T_j = 25 °C$		2.0		V
		$I_D = 16 A, I_G = 1000 mA, T_j = 125 °C$		3.3		
		$I_D = 16 A, I_G = 1000 mA, T_j = 175 °C$		4.5		
Drain – Source On Resistance	$R_{DS(ON)}$	$I_D = 16 A, I_G = 1000 mA, T_j = 25 °C$		110		mΩ
		$I_D = 16 A, I_G = 1000 mA, T_j = 125 °C$		210		
		$I_D = 16 A, I_G = 1000 mA, T_j = 175 °C$		280		
Gate Forward Voltage	$V_{GS(FWD)}$	$I_G = 500 mA, T_j = 25 °C$		3.0		V
		$I_G = 500 mA, T_j = 175 °C$		2.7		
DC Current Gain	$\beta$	$V_{DS} = 5 V, I_D = 16 A, T_j = 25 °C$		69		
		$V_{DS} = 5 V, I_D = 16 A, T_j = 175 °C$		47		
<b>Off Characteristics</b>						
Drain Leakage Current	$I_{DSS}$	$V_R = 1700 V, V_{GS} = 0 V, T_j = 25 °C$		0.1		μA
		$V_R = 1700 V, V_{GS} = 0 V, T_j = 125 °C$		0.5		
		$V_R = 1700 V, V_{GS} = 0 V, T_j = 175 °C$		1.0		

**Electrical Characteristics at  $T_j = 175\text{ }^\circ\text{C}$ , unless otherwise specified**

Parameter	Symbol	Conditions	Values			Unit	
			min.	typ.	max.		
<b>Switching Characteristics</b>							
Turn On Delay Time	$t_{d(on)}$	$V_{DD} = 1100\text{ V}$ , $I_D = 16\text{ A}$ , $R_{G(on)} = R_{G(off)} = 22\ \Omega$ , $V_{GS} = -8/15\text{ V}$ , $L = 1.1\text{ mH}$ , FWD = GB20SLT12, $T_j = 25\text{ }^\circ\text{C}$		tbd		ns	
Rise Time	$t_r$			tbd		ns	
Turn Off Delay Time	$t_{d(off)}$			tbd		ns	
Fall Time	$t_f$			tbd		ns	
Turn-On Energy Per Pulse	$E_{on}$			tbd		$\mu\text{J}$	
Turn-Off Energy Per Pulse	$E_{off}$		Refer to Figure 11 for gate current waveform	tbd		$\mu\text{J}$	
Total Switching Energy	$E_{ts}$			tbd		$\mu\text{J}$	
Turn On Delay Time	$t_{d(on)}$		$V_{DD} = 1100\text{ V}$ , $I_D = 16\text{ A}$ , $R_{G(on)} = R_{G(off)} = 22\ \Omega$ , $V_{GS} = -8/15\text{ V}$ , $L = 1.1\text{ mH}$ , FWD = GB20SLT12, $T_j = 175\text{ }^\circ\text{C}$		tbd		ns
Rise Time	$t_r$				tbd		ns
Turn Off Delay Time	$t_{d(off)}$				tbd		ns
Fall Time	$t_f$			tbd		ns	
Turn-On Energy Per Pulse	$E_{on}$			tbd		$\mu\text{J}$	
Turn-Off Energy Per Pulse	$E_{off}$	Refer to Figure 11 for gate current waveform		tbd		$\mu\text{J}$	
Total Switching Energy	$E_{ts}$			tbd		$\mu\text{J}$	

**Thermal Characteristics**

Thermal resistance, junction - case	$R_{thJC}$	0.64	$^\circ\text{C/W}$
-------------------------------------	------------	------	--------------------


**Figure 1: Typical Output Characteristics at  $25\text{ }^\circ\text{C}$** 

**Figure 2: Typical Output Characteristics at  $125\text{ }^\circ\text{C}$**

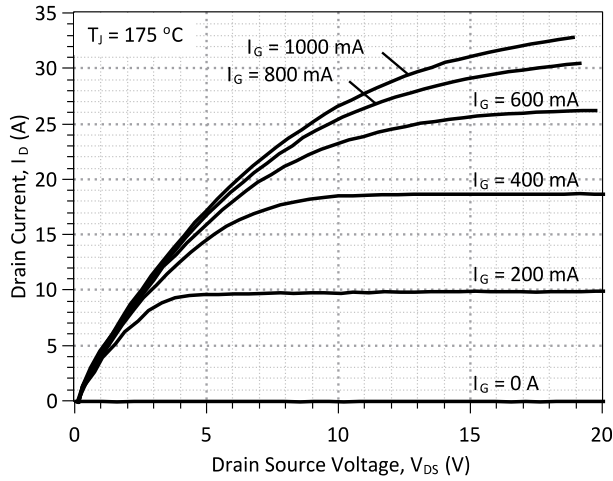


Figure 3: Typical Output Characteristics at 175 °C

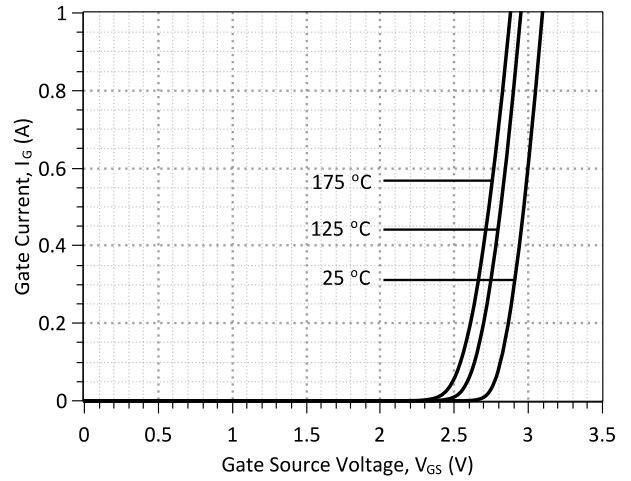


Figure 4: Typical Gate Source I-V Characteristics vs. Temperature

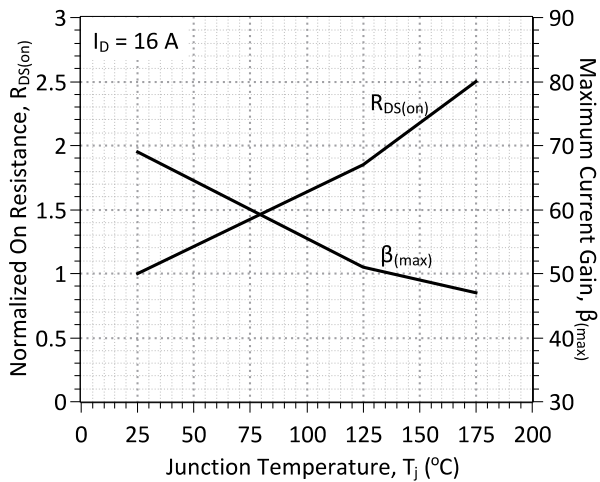


Figure 5: Normalized On-Resistance and Current Gain vs. Temperature

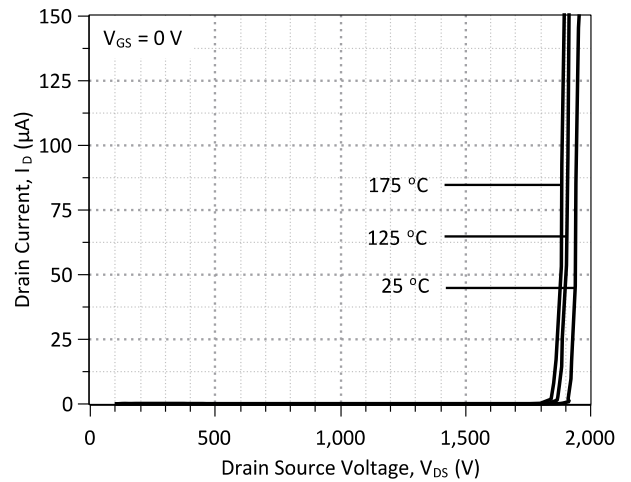


Figure 6: Typical Blocking Characteristics

TBD

TBD

Figure 7: Typical Hard-switched Turn On Waveforms

Figure 8: Typical Hard-switched Turn Off Waveforms

TBD

TBD

**Figure 9: Typical Turn On Energy Losses and Switching Times vs. Temperature**

**Figure 10: Typical Turn Off Energy Losses and Switching Times vs. Temperature**

TBD

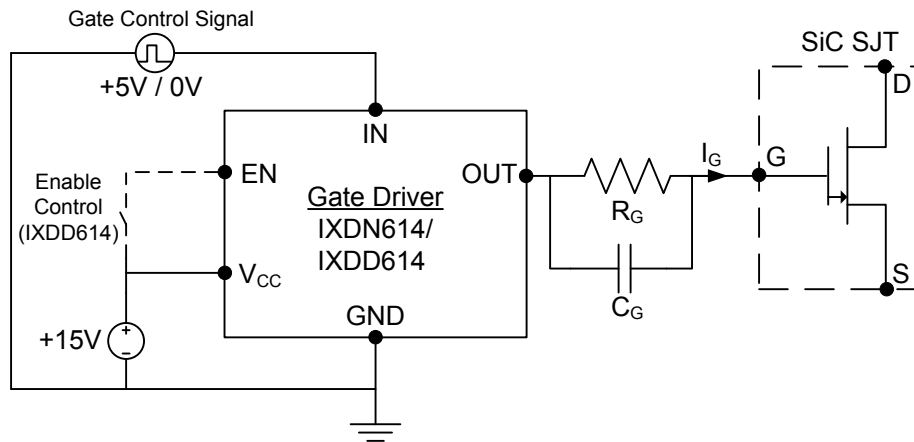
**Figure 11: Typical Gate Current Waveform**

**Gate Drive Technique (Option #1)**

To drive the GA16JT17-247 with the lowest gate drive losses, a custom-designed, dual voltage source gate drive configuration is recommended [for example, see Figure 5(a) in J. Rabkowski et al. IEEE Trans. Power Electronics 27(5), 2633-2642 (2012)]. More details on using this optimized gate drive technique will be made available shortly. An effective simple alternative for ultra-fast switching of the GA16JT17-247 is available below.

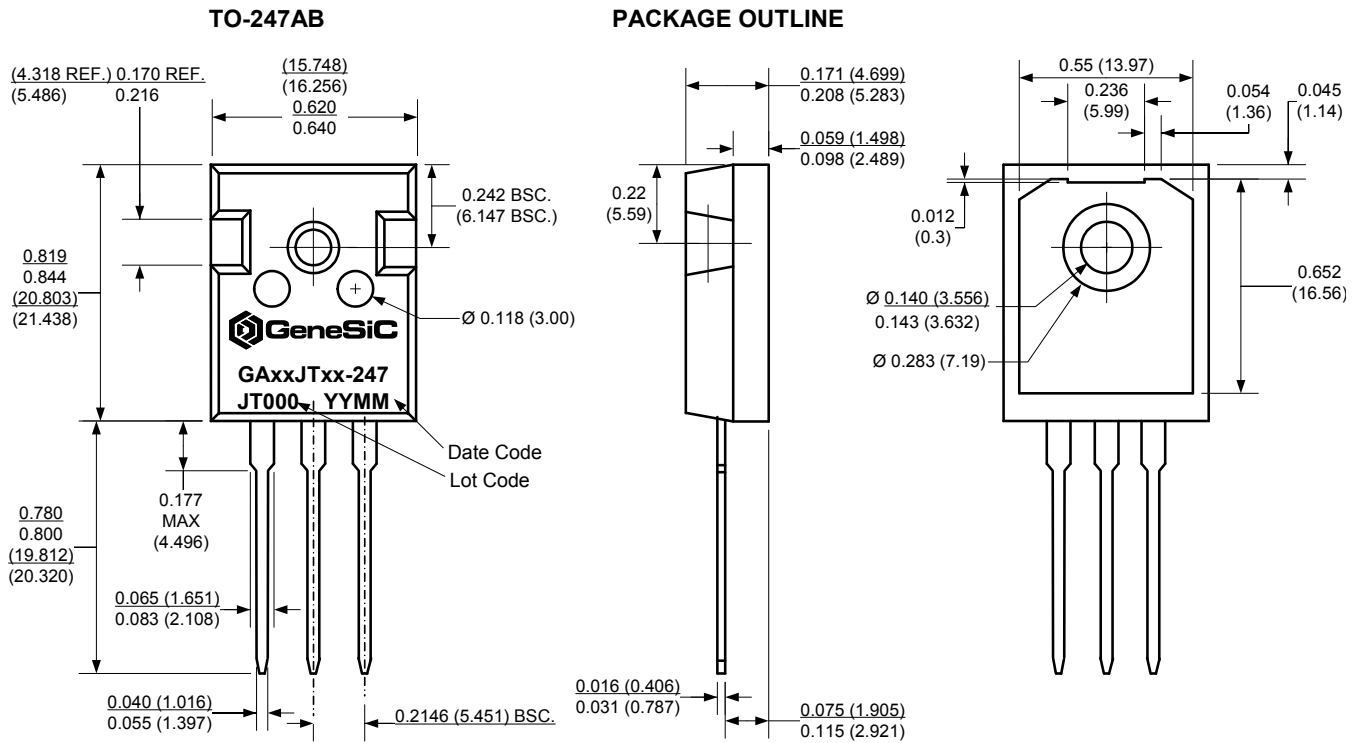
**Gate Drive Technique (Option #2)**

The GA16JT17-247 can be effectively driven using the IXYS IXDN614 / IXDD614 non-inverting gate driver IC or a comparable product. A typical gate driver configuration along with component values using this driver is offered below. Additional information is available from the manufacturer at [www.ixys.com](http://www.ixys.com).


**Figure 14: Recommended Gate Driver Configuration (Option #2)**

Parameter	Symbol	Conditions	Values			Unit
			min.	typ.	max.	
<b>Gate Driver Pins (IXDD614/IXDN614)</b>						
Supply Voltage	$V_{CC}$		-0.3	15	40	V
Gate Control Input Signal, Low	IN		-5.0	0	0.8	V
Gate Control Input Signal, High	IN		3.0	5.0	$V_{CC}+0.3$	V
Enable, Low	EN	IXDD614 Only			$1/3*V_{CC}$	V
Enable, High	EN	IXDD614 Only		$2/3*V_{CC}$		V
Output Voltage, Low	$V_{OUT}$				0.025	V
Output Voltage, High	$V_{OUT}$		$V_{CC}-0.025$			V
Output Current, Peak	$I_{OUT}$	Package Limited		4.5	14	A
Output Current, Continuous	$I_{OUT}$			0.5	4.0	A
<b>Passive Gate Components</b>						
Gate Resistance	$R_G$	$I_G \approx 0.5$ A	5	22		$\Omega$
Gate Capacitance	$C_G$	$I_G \approx 0.5$ A		100		nF

**Package Dimensions:**



- NOTE**
1. CONTROLLED DIMENSION IS INCH. DIMENSION IN BRACKET IS MILLIMETER.
  2. DIMENSIONS DO NOT INCLUDE END FLASH, MOLD FLASH, MATERIAL PROTRUSIONS

Revision History			
Date	Revision	Comments	Supersedes
2013/02/21	1	Revised electrical characteristics	
2012/12/03	0	Initial release	

Published by  
 GeneSiC Semiconductor, Inc.  
 43670 Trade Center Place Suite 155  
 Dulles, VA 20166

GeneSiC Semiconductor, Inc. reserves right to make changes to the product specifications and data in this document without notice.

GeneSiC disclaims all and any warranty and liability arising out of use or application of any product. No license, express or implied to any intellectual property rights is granted by this document.

Unless otherwise expressly indicated, GeneSiC products are not designed, tested or authorized for use in life-saving, medical, aircraft navigation, communication, air traffic control and weapons systems, nor in applications where their failure may result in death, personal injury and/or property damage.