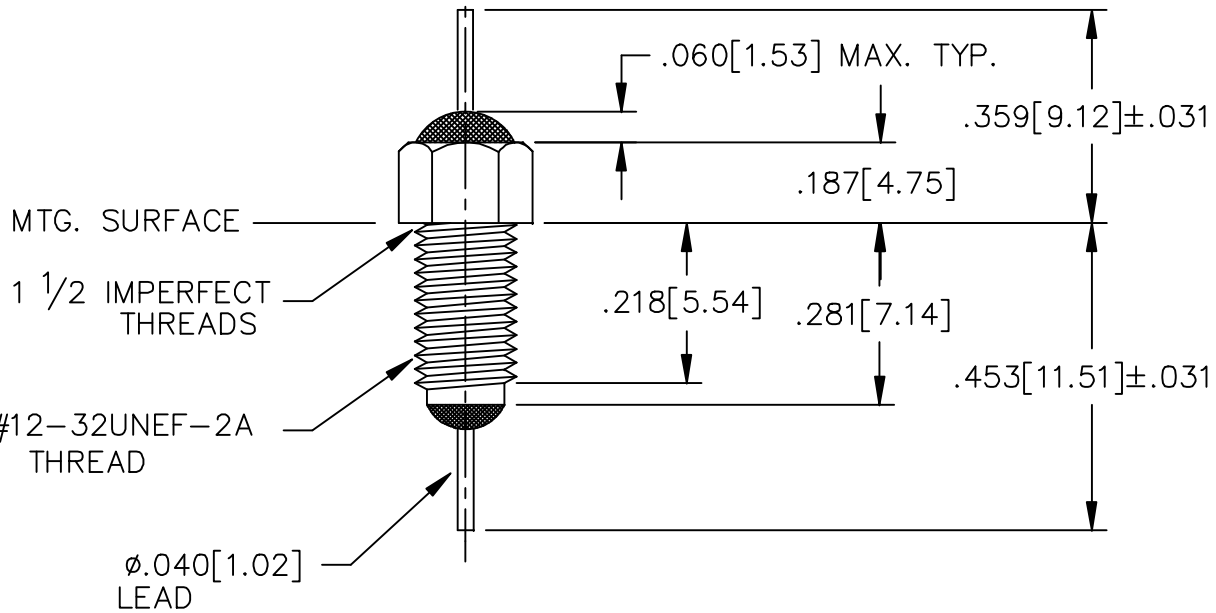
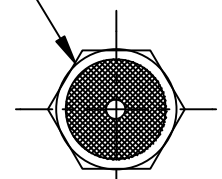


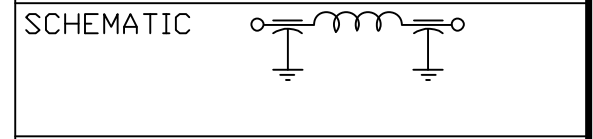
NOTES:

- 1) MAX. MOUNTING TORQUE IS 6lb-in.
- 2) HARDWARE IS INCLUDED.

.250[6.35] HEX



LEAD FINISH: SILVER	
BUSHING FINISH: SILVER	
CAPACITANCE	3000pF MIN.
TEMP. RANGE	-55°C TO 125°C
CURRENT	10 AMP MAX.
WORKING VOLTAGE	115VAC @ 400Hz -55°C TO 125°C 500VDC MAX.
D.C. RESISTANCE	.01ohms MAX.
MIN. I.L. PER MIL-STD-220 AT 25°C NO LOAD	
FREQ. MHz	I.L. (db)
10	12
30	20
100	45
300	60
500	--
1GHz	60
10GHz	60



MARKING:

PART: S011 (FAIRVIEW)
S011M (MEXICO)

(MARKING MUST BE CLEARLY LEGIBLE WITH NO MARKING VOIDS)

BAG:
51-719-011
DATE CODE
QTY./BAG (100 MAX.)

	68		REV. NO.	TOLERANCES UNLESS OTHERWISE SPECIFIED
CN 35419-ENG	67		CHANGE NOTICE	Fractions ± 1/64
CN 16164-CPD	66			Dec. .xx±
CN 13776-CPD	65			Dec. .xxx±.010
CN 212860	64			Angles ±0° 30'
CN 201356	63			CODE IDENT. NO. QLSP2
CN 197374	62			
CN 193211	61			
CN 184956 REDRAWN				

FAIRVIEW PENNSYLVANIA

SPECTRUM CONTROL INC.

Dwn. KAUFFMAN Description Pi
Date 6-12-07 RESIN SEAL FILTER
Engr. SACKETT
Scale NONE

51-719-011

