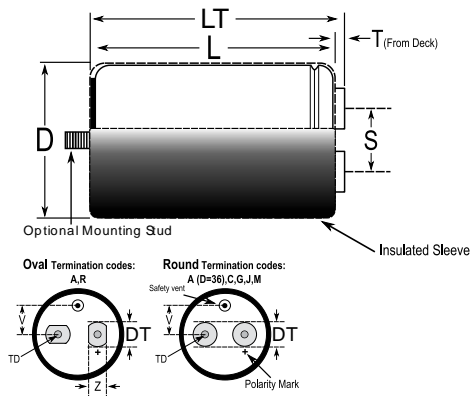


KEMET Part Number: ALS30A152KF400
(A331LM152M400A)

Capacitor, aluminum, 1500 uF, +/-20% Tol, -40/+85C, 400VDC@85° C



Dimensions (mm)		
Symbol	Dimension	Tolerance
D	51	+/-1
L	105	+/-2
LT	110.5	+/-1
S	22.2	+/-0.5
T	5.5	+/-0.5
TD	10	MIN
DT	13	+/-0.5
V	13.7	NOM
Z	10	NOM

Notes:
-Dimensions D and L include sleeving

General Information	
Supplier:	KEMET
Part Type Description:	Computer Grade Aluminum Electrolytic
Style:	Computer Grade
Lead Type:	Oval Threaded Inserts- M5
Mounting Type:	Clip- V4/UTE2737
Weight:	300 g

Specifications	
Capacitance:	1500 uF
Tolerance:	+/-20%
Rated Temperature:	85° C
Voltage @ rated temp:	400VDC
VDC Surge:	440VDC
Transient Voltage:	520V
Life @ rated temp:	18000 Hrs
RoHS:	Yes
Low Z/ESR:	Yes
Temperature Range:	-40/+85C
ESR at 100Hz @ room temp:	92 mOhm
ESR at 120Hz @ room temp:	87 mOhm
ESR at 100kHz @ room temp:	61 mOhm
Leakage Current:	3.6 mA
Leakage Condition:	5min/20c
Impedance @ 10kHz:	65 mOhm
Impedance @ 100kHz:	62 mOhm
Ripple 100Hz @ rated temp:	7.8 A
Ripple 10kHz @ rated temp:	13.1 A

Packaging Specifications	
Package Kind:	Bulk