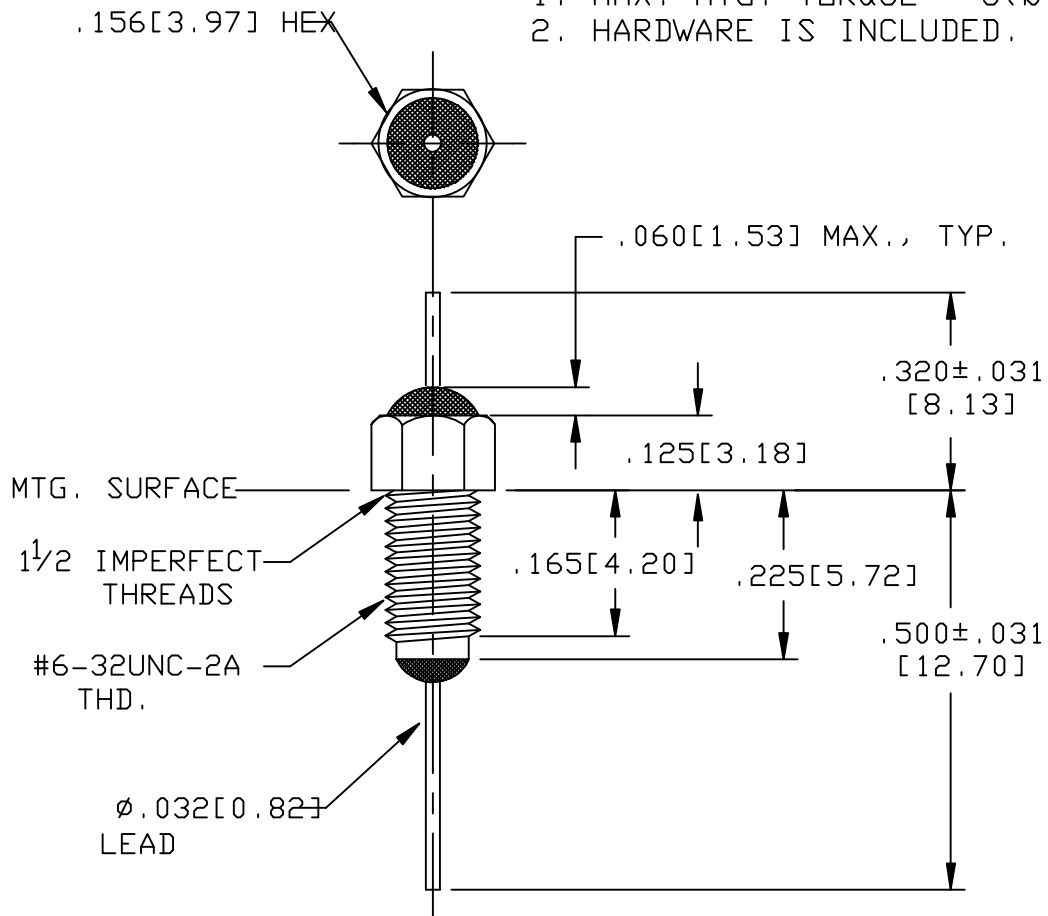


NOTES:

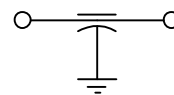
1. MAX. MTG. TORQUE = 3lb-in.
2. HARDWARE IS INCLUDED.



LEAD FINISH:	SILVER
BUSHING FINISH:	SILVER
CAPACITANCE	10pF ±20%
TEMP. RANGE	-55°C TO 125°C
CURRENT	10 AMP MAX.
WORKING VOLTAGE	85°C -- VDC MAX. 125°C 100 VDC MAX.

D.C. RESISTANCE	.01ohms MAX.
MIN. I.L. PER MIL-STD-220 AT 25°C NO LOAD	
FREQ. MHz	I.L. (db)
1	N/A
100	N/A
500	N/A
1 GHz	N/A
10 GHz	N/A

SCHEMATIC



MARKING:

PART: S100M

BAG:

SCI 54779001X5F100M
DATE CODE
QTY/BAG (200 MAX.)

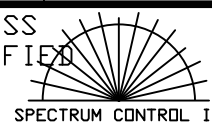
CN 185028 0

REV. CHANGE NOTICE NO.

TOLERANCES UNLESS OTHERWISE SPECIFIED

Fract. 1/64
Dec. .xx±
Dec. .xxx±005
Angles ±0° 30'

CODE IDENT. NO. 0LSP2



SPECTRUM CONTROL INC.

Dwn. SLAGLE
Ckd. 6/2/99

Apvd.
Scale NONE

ERIE, FAIRVIEW PENNSYLVANIA

DESCRIPTION: FREE THRU RESIN SEAL FILTER

54779001X5F100M