

CASE FINISH	CURRENT (AMPS)	WORKING VOLTAGE				MAXIMUM DC RESISTANCE (OHMS)	MAXIMUM VOLTAGE DROP		MINIMUM CAPACITANCE (uF)	MIN. INSERTION LOSS PER MIL-STD-220, FULL LOAD, +25°C												
		-55°C TO +85°C		-55°C TO +125°C			DC	AC		14 KHz	30 KHz	50 KHz	75 KHz	100 KHz	150 KHz	300 KHz	500 KHz	1 MHz	10 MHz	100 MHz	1 GHz	10 GHz
		AC	DC	AC	DC					-	15	-	-	25	28	34	-	44	60	70	70	-
SOLDER	15	-	80	-	50	0.005	0.075	-	1.4	-	15	-	-	25	28	34	-	44	60	70	70	-

PART MARKING:

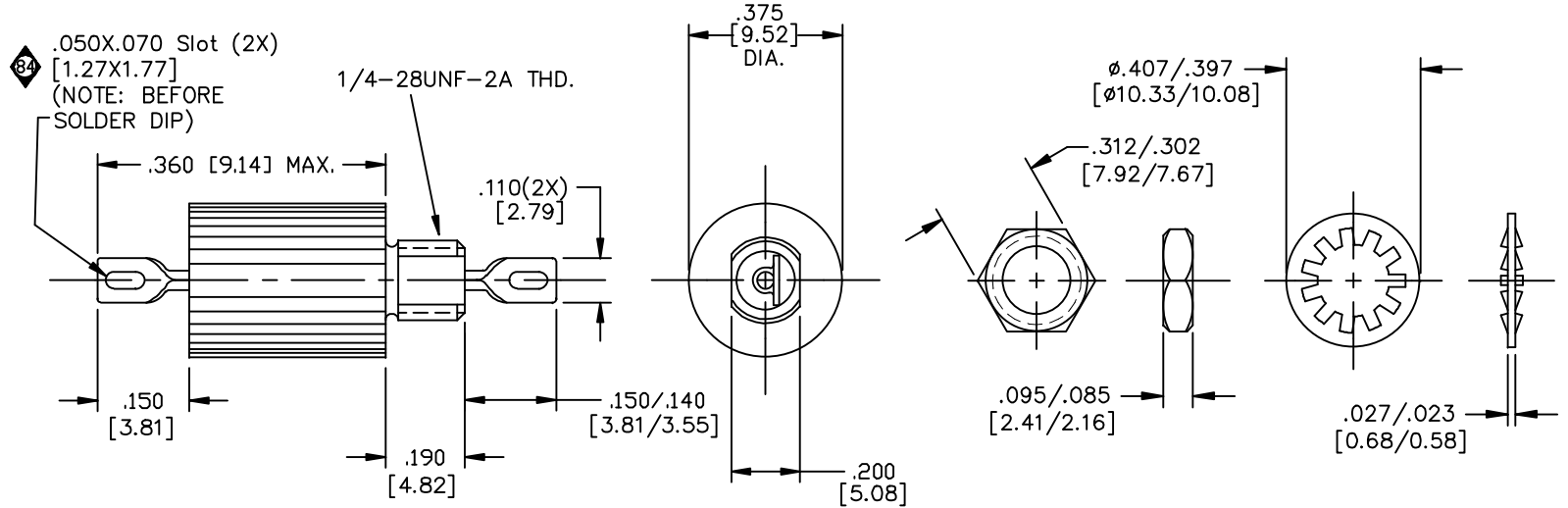
51-359-001
SCI DATE CODE

PACKAGE MARKING:

STANDARD

MARKING NOTES:


N/A



MTG. HARDWARE

NOTES:

1) MOUNTING TORQUE NOT TO EXCEED 7in-lbs.

										84	83	REV. NO.	UNLESS OTHERWISE SPECIFIED DIMENSIONS ARE IN INCHES. [MILLIMETERS] DO NOT SCALE.	TOLERANCES UNLESS OTHERWISE SPECIFIED Fractions ± Dec. .xx± Dec. .xxx±.010 Angles ±0° 30'	 SPECTRUM CONTROL INC. Dwn. KAUFFMAN Date 6-17-10 Apvd. _____ Sheet 1 of 1	FAIRVIEW PENNSYLVANIA Description Low Pass EMI Filter 51-359-001
										CN. 54605-ENG	178688	CHANGE NOTICE				

Quality Products From The Specialists In Electro-Magnetic Compatibility