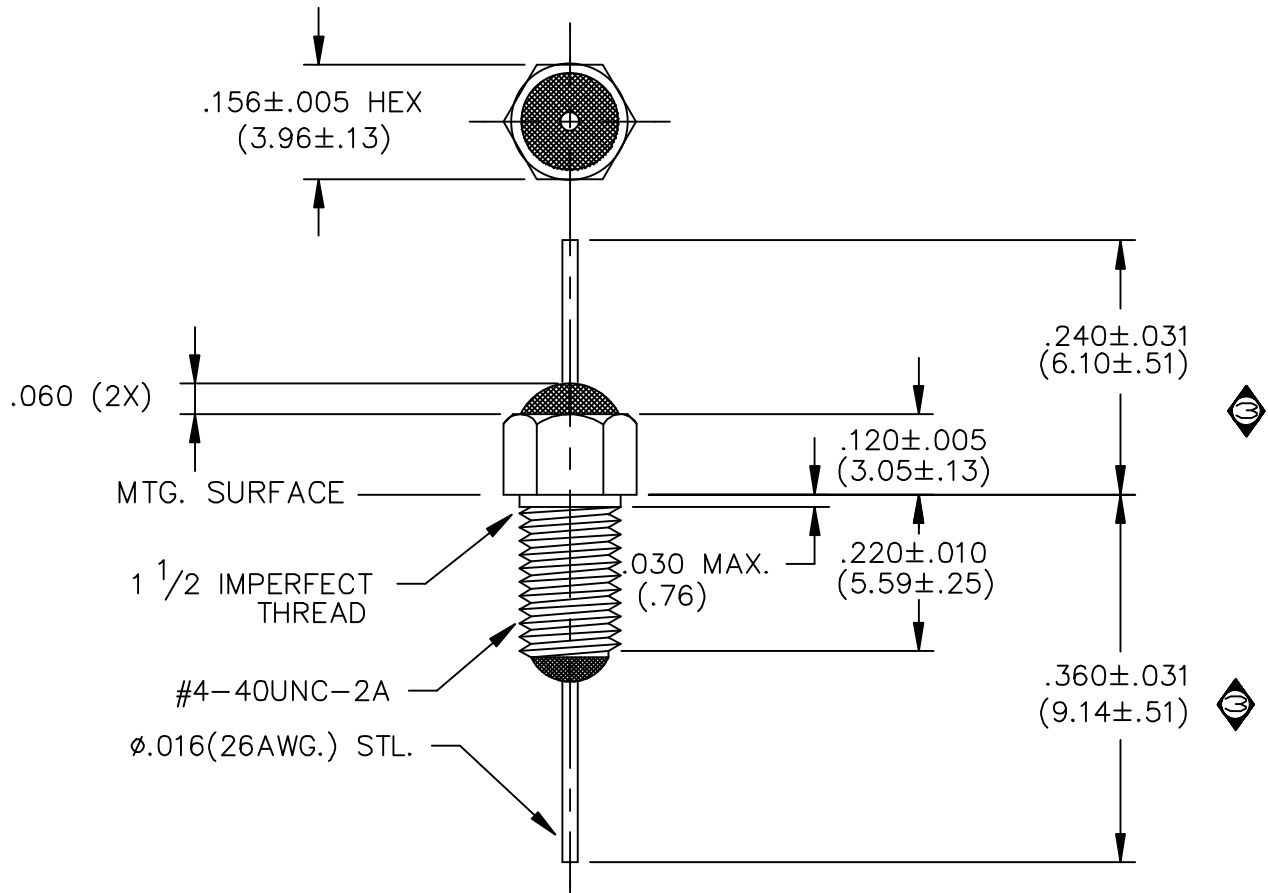
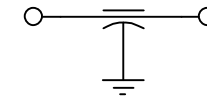


NOTES:
1. HARDWARE IS INCLUDED.



LEAD FINISH:	SOLDER
BUSHING FINISH:	SILVER
CAPACITANCE	.05 μ F GMV
TEMP. RANGE	-55°C TO 125°C
CURRENT	5 AMP MAX.
WORKING VOLTAGE	85°C N/A VDC MAX. 125°C 100 VDC MAX.
D.C. RESISTANCE	.01ohms MAX.
MIN. I.L. PER MIL-STD-220 AT 25°C NO LOAD	
FREQ. MHz	I.L. (db)
1	--
10	--
100	--
1 GHz	--
10 GHz	--

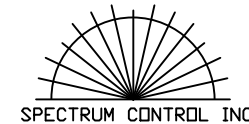
SCHEMATIC



MARKING:

PART: S 503
BAG:
SCI-9112-503
DATE CODE
LOT NO.
QTY/BAG (200 MAX.)

					REV. NO.	TOLERANCES UNLESS OTHERWISE SPECIFIED
			03	02	01	Fractions \pm 1/64
			CN. 195935	CN. 192061	CN. 169190	Dec. .xx \pm
						Dec. .xxx \pm .031
						Angles \pm 0° 30'
					CHANGE NOTICE	CODE IDENT. NO. DLSP2



ERIE, FAIRVIEW
PENNSYLVANIA

SPECTRUM CONTROL INC.

Dwn. KAUFFMAN

Description FT

Ckd. 3-25-96

RESIN SEAL FILTER

Apvd.

SCI-9112-503

Scale NONE