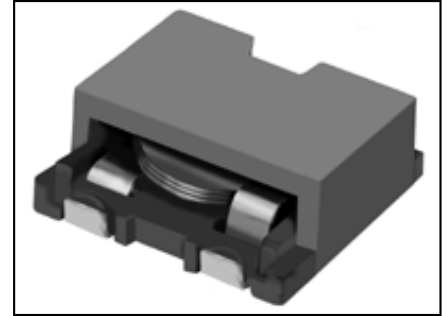


## CDEP134(H)

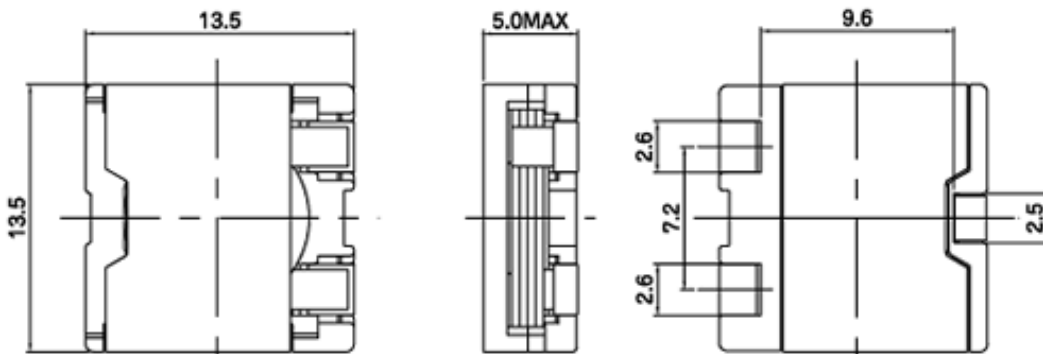
Notebook PC

### Usages:

- ▶ Notebook PC



### Dimension (mm):



### Features:

- ▶ Low profile type
- ▶ Strong rated current type
- ▶ Low resistance type

### Specifications:

Parts No.	Inductance (uH)	D.C.R.(Max) (mOhm) ( )Typical						Permissible D.C.Current (A)					
		CEE124	CEP125	CEP125-H	CDEP134	CDEP134-H	CEPH149	CEE124	CEP125	CEP125-H	CDEP134	CDEP134-H	CEPH149
0R3	0.3					1.9(1.6)						35.0	
0R4	0.4				1.9(1.6)						32.0		
0R6	0.66					2.5(2.1)						29.0	
0R7	0.75	5.5(4.5)						9.0					
0R9	0.9				2.5(2.1)						21.6		
1R0	1.0			2.5(2.1)			1.2(0.99)			20.0			20.0
1R2	1.2					3.7(3.1)						21.0	
1R3	1.3	7.0(5.8)						8.5					
1R5	1.5		2.5(2.1)						14.0				
1R6	1.6				3.7(3.1)		1.5(1.24)				16.0		15.0
1R8	1.8			3.4(2.8)		6.6(5.5)				15.3		17.6	
2R1	2.1	8.4(6.9)						8.0					
2R4	2.4						1.5(1.24)						10.0
2R5	2.5		3.4(2.8)		6.6(5.5)				10.0		12.8		
2R7	2.7					10.8(9.0)						14.7	
2R8	2.8			5.4(4.5)						12.3			
3R6	3.6				10.8(9.0)	12.0(10.0)					10.9	12.5	
4R0	4.0		5.4(4.5)	8.0(6.6)					8.3	10.3			
4R8	4.8				12.0(10.0)	16.3(13.6)					9.3	11.0	
5R6	5.6			11.4(9.5)						8.8			
6R0	6.0		8.0(6.6)			18.4(15.3)			6.7			9.6	
6R4	6.4				16.3(13.6)						8.0		
7R2	7.2			13.5(11.2)						7.8			
8R0	8.0				18.4(15.3)						7.2		
8R2	8.2		11.4(9.5)						5.8				
100	10.0		13.5(11.2)						5.0				

## CDEP134(H)