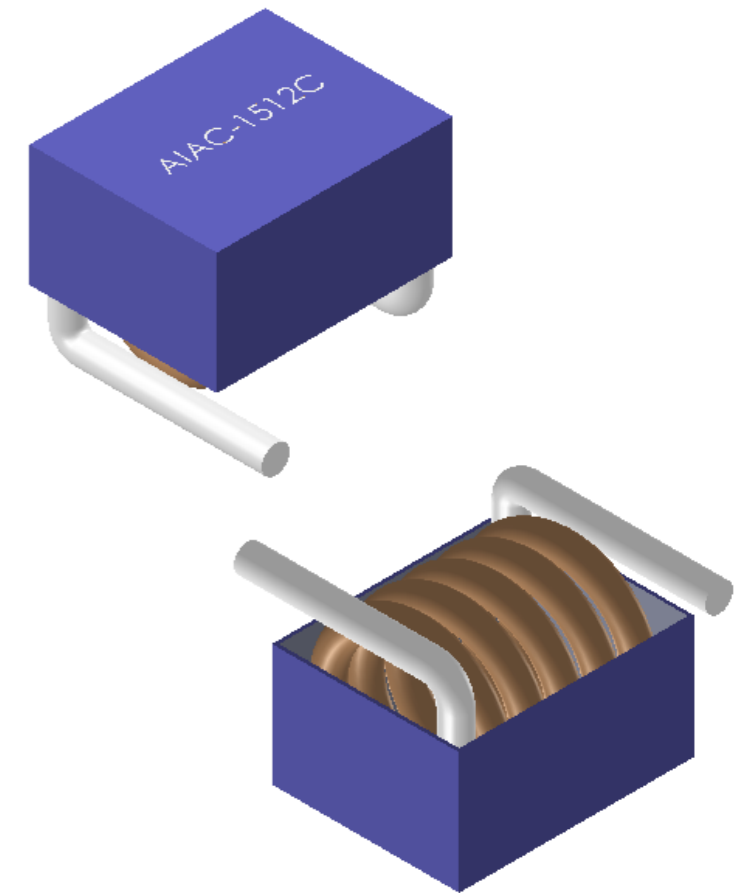
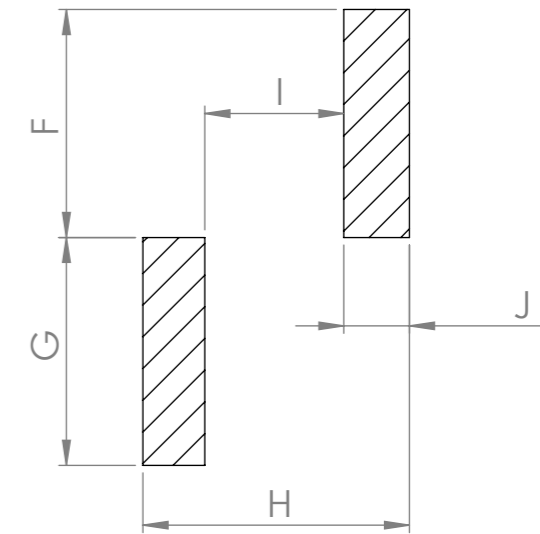
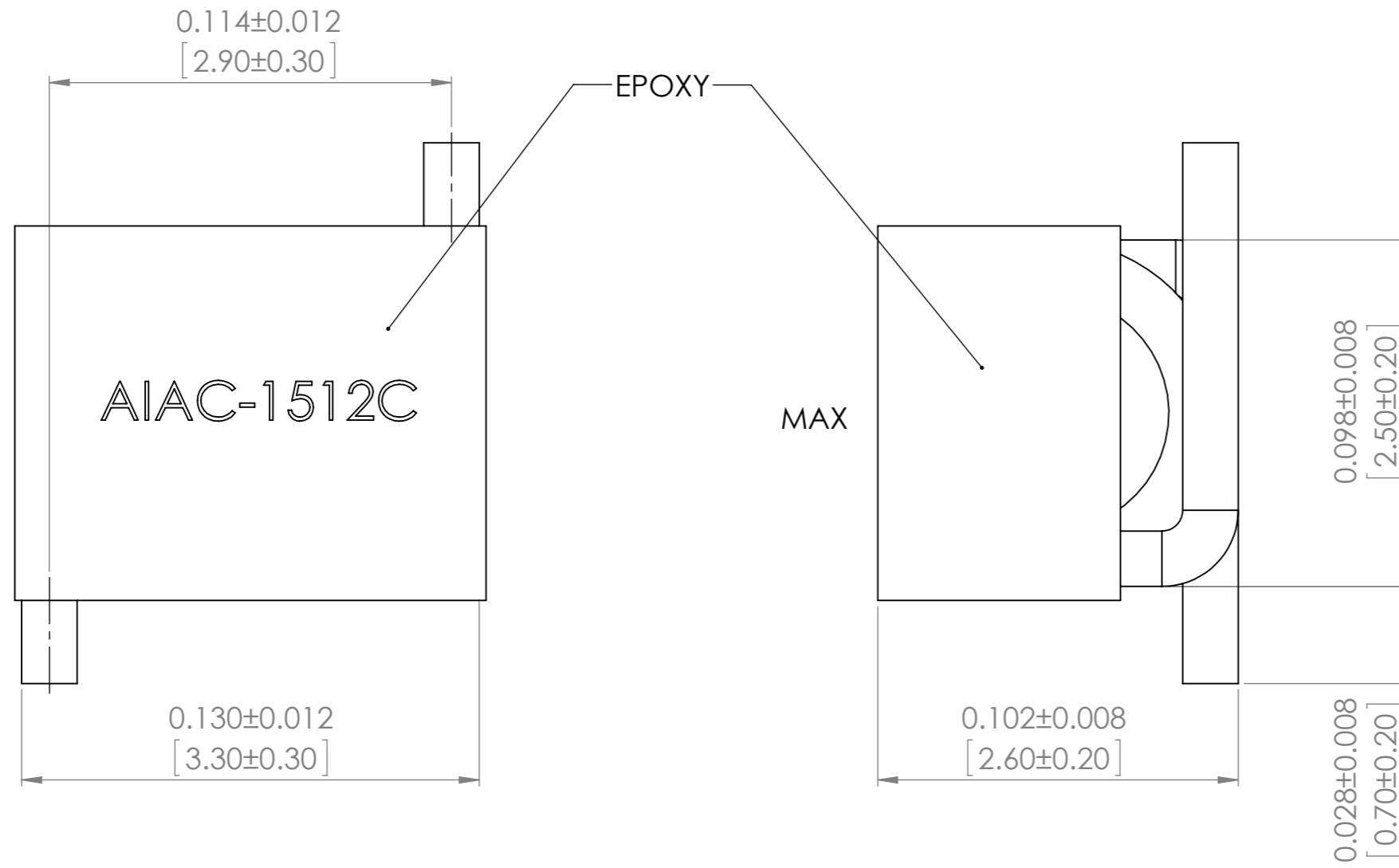
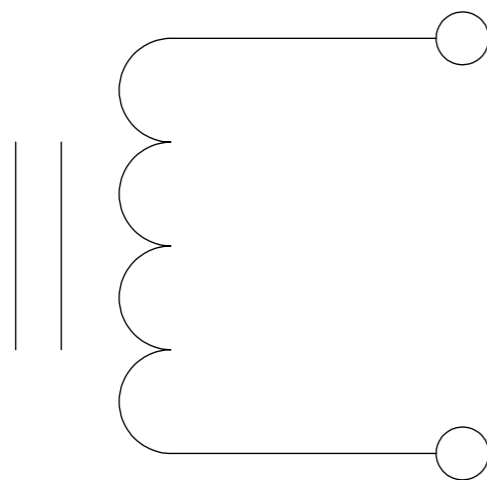



Recommended Land Pattern



Schematic



F	2.8
G	3.3
H	4.2
I	1.7
J	1.3

UNLESS OTHERWISE SPECIFIED: DIMENSIONS ARE IN INCH(MM) SURFACE FINISH: TOLERANCES: LINEAR: ANGULAR:				FINISH:		DEBUR AND BREAK SHARP EDGES		DO NOT SCALE DRAWING		REVISION -	
DRAWN SAAZVAT				SIGNATURE		DATE		 ABRACON CORPORATION 30332 Esperanza, Rancho Santa margarita, California 92688			
CHK'D XXXXXX								TITLE: Air Coil			
APPV'D								DWG NO. AIAC-1512C			
MFG								SCALE:28:1			
Q.A						MATERIAL:		SHEET 1 OF 1			
						WEIGHT:		A3			