

# CGA5H2NP02A153J115AA

TDK Item Description : CGA5H2NP02A153JT\*\*\*

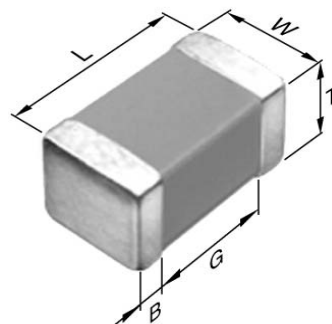


## Application & Main Feature

Automotive Grade ( High Temperature Application )

## Series

CGA5(3216) [EIA CC1206]



## Dimensions

L 3.20mm +/-0.2mm  
 W 1.60mm +/-0.2mm  
 T 1.15mm +/-0.15mm  
 B 0.20mm Min.  
 G

## Temperature Characteristic

NP0 (-55 to 150 degC 0+/-30ppm/degC)

## Rated Voltage

2A (100Vdc)

## Capacitance

15nF

## Capacitance Tolerance

J (+/-5%)

## Q Factor

1000 Min.

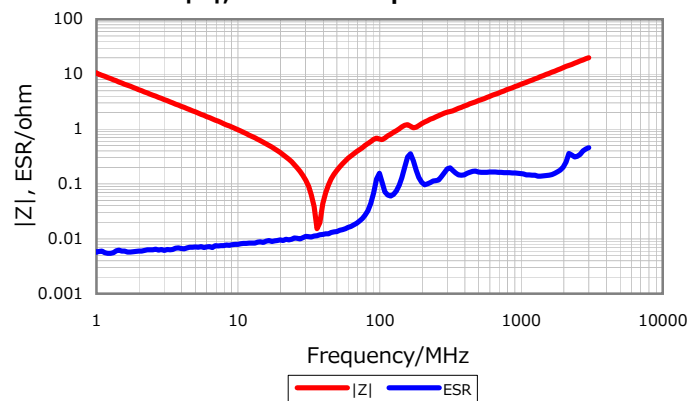
## Insulation Resistance

10Gohm Min.

## AEC-Q200

Yes

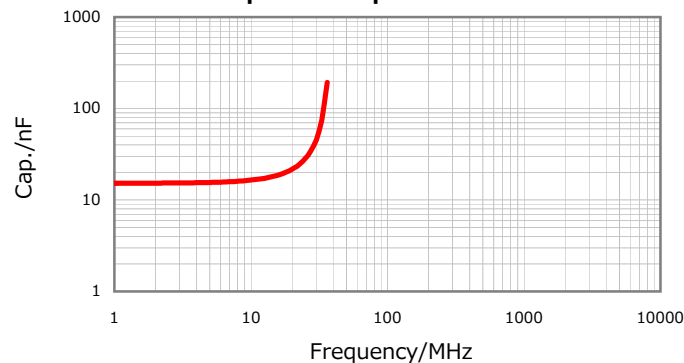
**|Z|, ESR vs. Freq. Characteristics**



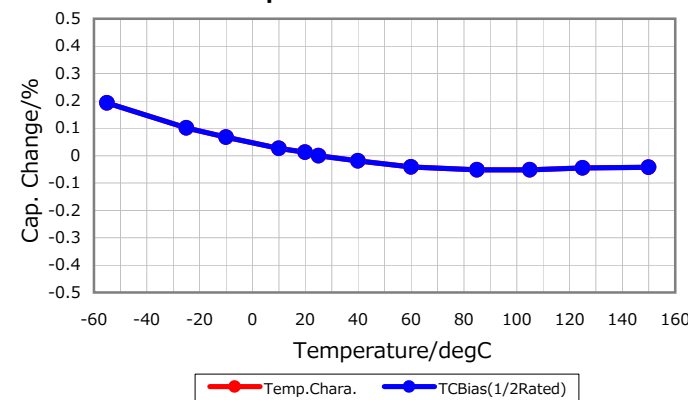
**DC Bias Characteristic**



**Cap. vs. Freq. Characteristic**



**Temperature Characteristics**



Characterization Sheet ( Multilayer Ceramic Chip Capacitors )



All specifications are subject to change without notice.

January 4, 2016