

# SPECIFICATION FOR APPROVAL



TO: \_\_\_\_\_

PART NO.		REV.		DELTA SAMPLE ISSUE NO	
PART NAME	EMI FILTER		DELTA MODEL		20TDHG6
ORDER P/N.	20TDHG6		SAMPLE ISSUE DATE		

1. ELECTRICAL CHARACTERISTICS:

- 1-1. VOLTAGE RATING ..... 250VAC
- 1-2. CURRENT RATING
  - A. AT 115VAC ..... 20 A RMS Max.
  - B. AT 250VAC ..... 20 A RMS Max.
- 1-3. OPERATING FREQUENCY..... 50/60 Hz
- 1-4. LEAKAGE CURRENT: EACH LINE TO GROUND
  - A. @115VAC 60Hz ..... 0.45 mA Max.
  - B. @250VAC 50Hz ..... 0.90 mA Max.
- 1-5. HIPOT RATING (FOR ONE MINUTE)
  - A. LINE TO GROUND ..... 2250VDC
  - B. LINE TO LINE ..... 1450VDC
- 1-6. TEMPERATURE RANGE: -25 TO +100 DEGREE C
- 1-7. MINIMUM INSERTION LOSS IN dB: (AT 50 OHM SYSTEM)

FREQ. MHz	.01	.05	.10	.15	.50	1.0	5.0	10	30
COM. MODE dB	2	5	12	15	25	28	38	40	35
DIF. MODE dB	0	5	12	15	25	28	50	55	40

REPORT BY	CHECKED BY	APPROVED BY		
			REV.	

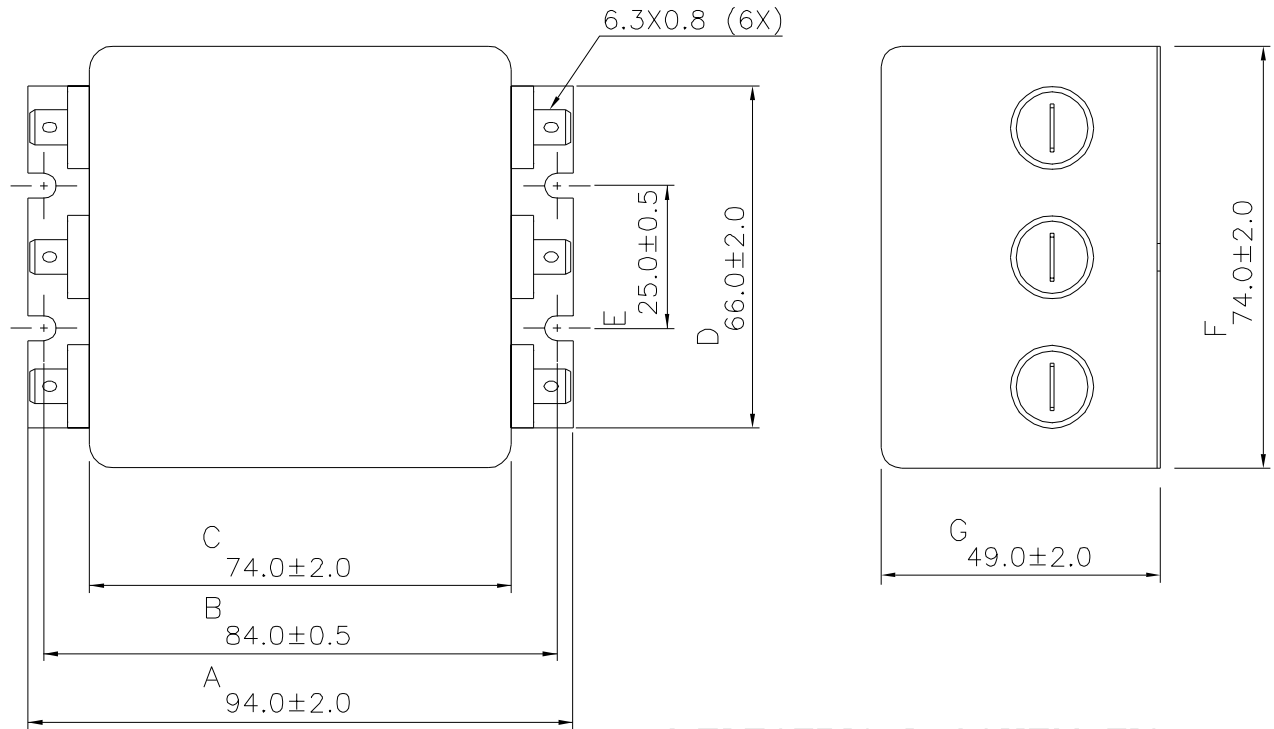
# SPECIFICATION FOR APPROVAL



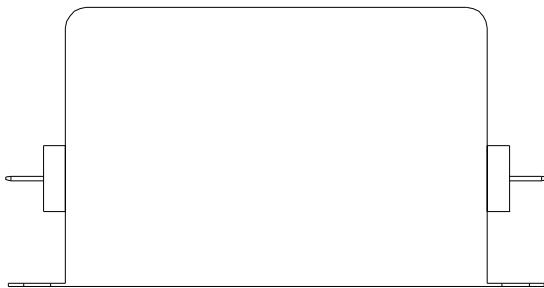
TO: \_\_\_\_\_

PART NO.		REV.		DELTA SAMPLE ISSUE NO	
PART NAME	EMI FILTER		DELTA MODEL		20TDHG6
ORDER P/N.	20TDHG6		SAMPLE ISSUE DATE		

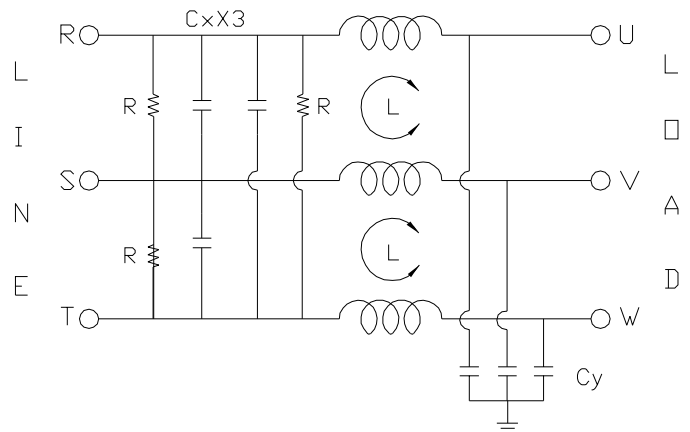
## 2. PHYSICAL DIMENSIONS:



UNIT: mm



## 3. ELECTRICAL SCHEMATIC:



L: 0.5mH  
 Cx: 0.22uF  
 Cy: 4700pF  
 R: 680KΩ

REPORT BY	CHECKED BY	APPROVED BY	UNLESS OTHERWISE SPECIFIED DIMENSION TOLERANCE DCEIMALS .X± .XX± ANGLES±		
			REV.		