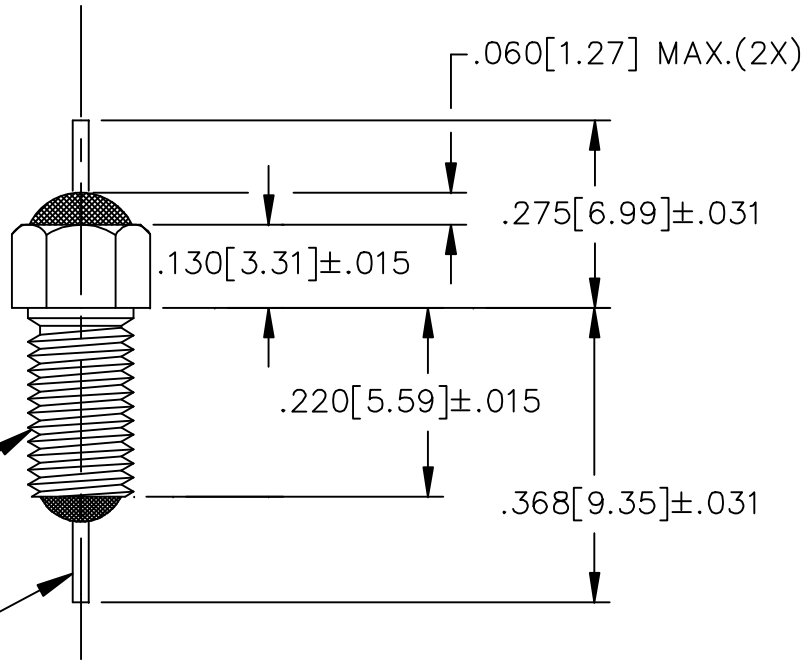
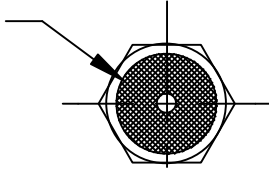


.156[3.97]±.010 HEX.



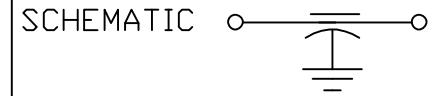
#4-40UNC-2A

ø.032[0.82]

NOTE: HARDWARE IS INCLUDED



LEAD FINISH: SILVER	
BUSHING FINISH: SILVER	
CAPACITANCE	.045uF MIN.
TEMP. RANGE	-55°C TO 125°C
CURRENT	10 AMP
WORKING VOLTAGE	85°C 50 VDC 125°C 35 VDC
D.C. RESISTANCE	.01ohms MAX.
MIN. I.L. PER MIL-STD-220 AT 25°C NO LOAD	
FREQ.	I.L. (db)
-----	-----
1MHz	14
10MHz	30
100MHz	45
1GHz	55
10GHz	60



MARKING PART: S453G
 BAG: SCI
 9900F-381-6006
 45nF 50VDC
 XXX DATE CODE
 XXXX QTY/BAG
 (100 MAX>)

	00	REV. NO.	TOLERANCES UNLESS OTHERWISE SPECIFIED	 SPECTRUM CONTROL INC.	FAIRVIEW PENNSYLVANIA	
	CN 41761-ENG	CHANGE NOTICE	Fractions ± 1/64		Dwn. KAUFFMAN	Description
			Dec. .xx±		Date 5-14-08	F/T FILTER
			Dec. .xxx± .010		Engr.	9900F-381-6006
			Angles ±0° 30'		Scale NONE	
		CODE IDENT. NO. DLSP2				

