

**PHYSICAL DIMENSIONS:**

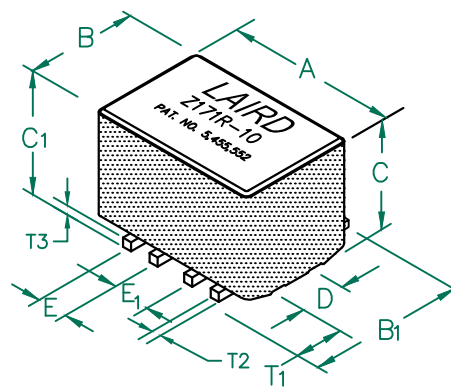
A	14.48 [ .570 ]	± 0.23 [ .009 ]
B	10.03 [ .395 ]	± 0.15 [ .006 ]
B <sub>1</sub>	11.05 [ .435 ]	MAX
C	9.32 [ .367 ]	± 0.15 [ .006 ]
C <sub>1</sub>	10.49 [ .413 ]	MAX.
D	4.06 [ .160 ]	± 0.13 [ .005 ]
E	2.54 [ .100 ]	± 0.13 [ .005 ]
E <sub>1</sub>	3.43 [ .135 ]	± 0.13 [ .005 ]

**WIRE:**

T <sub>1</sub>	3.56 [ .140 ]	± 0.25 [ .010 ]
T <sub>2</sub>	0.76 [ .030 ]	TYP.
T <sub>3</sub>	0.76 [ .030 ]	TYP.

# CM5740Z171R-10

**UNCONTROLLED DOCUMENT**

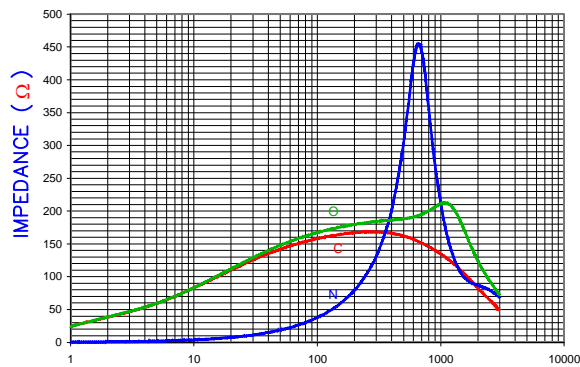


ELECTRICAL CHARACTERISTICS:		
Z @ 100MHz (Ω)	DCR (Ω)	Rated Current
Nominal	170	
Minimum	128	
Maximum	-	0.001 20,000 mA

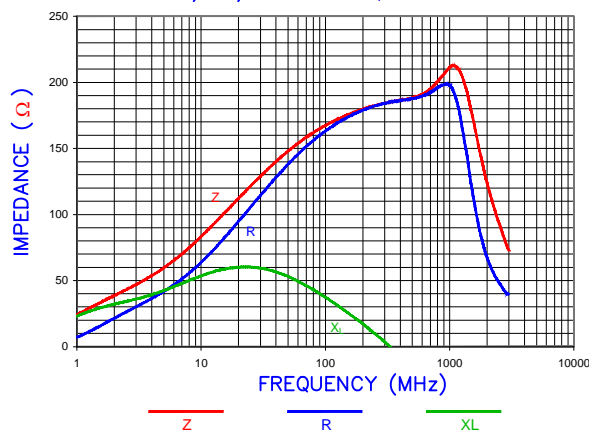
NOTES: UNLESS OTHERWISE SPECIFIED

1. TAPED AND REELED per CURRENT EIA SPECIFICATIONS 13" REELS, 375 PCS/REEL.
2. COMPONENTS SHOULD BE ADEQUATELY PREHEATED BEFORE SOLDERING.
3. REF. CARRIER TAPE SPECIFICATION CART5740-6P.
4. TERMINATION FINISH IS 100% TIN.
5. THIS PART HAS NO PIN POLARITY.
6. OPERATION TEMPERATURE (INCLUDING SELF-HEATING): -40 ~ +125°C.

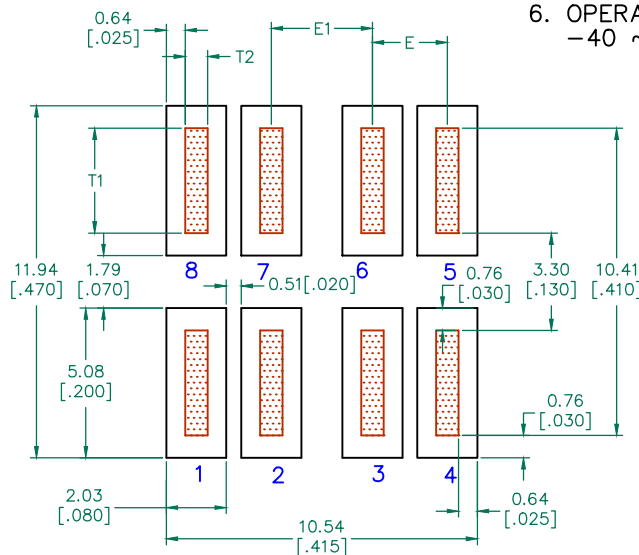
Z vs. FREQUENCY (C,O,N)



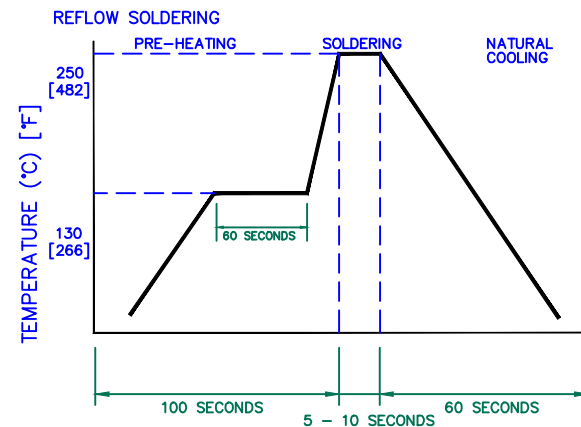
Z, R, XL vs. FREQUENCY



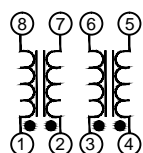
**LAND PATTERNS FOR REFLOW SOLDERING**



**RECOMMENDED SOLDERING CONDITIONS**



**EQUIVALENT CIRCUIT NO POLARITY**



DIMENSIONS ARE IN mm (INCHES).				This print is the property of Laird Tech. and is loaned in confidence subject to return upon request and with the understanding that no copies shall be made without the written consent of Laird Tech. All rights to design or invention are reserved.		
D	ADD NOTE 6	08/30/12	QIU	PROJECT/PART NUMBER: <b>CM5740Z171R-10</b> REV <b>D</b> PART TYPE: <b>ASSEMBLY</b> DRAWN BY: <b>JRK</b> DATE: 06/11/04 SCALE: NTS SHEET: 1 of 2 TOOL # H0570		
C	UPDATE COMPANY LOGO & KAPTON LABEL ADD EQUIVALENT CIRCUIT	11/12/08	JRK			
B	UPDATE COMPANY LOGO	01/08/08	JRK			
A	ORIGINAL DRAFT	06/11/04	JRK			
REV	DESCRIPTION	DATE	INT			
CAD # CM5740Z171R-10-D-1						