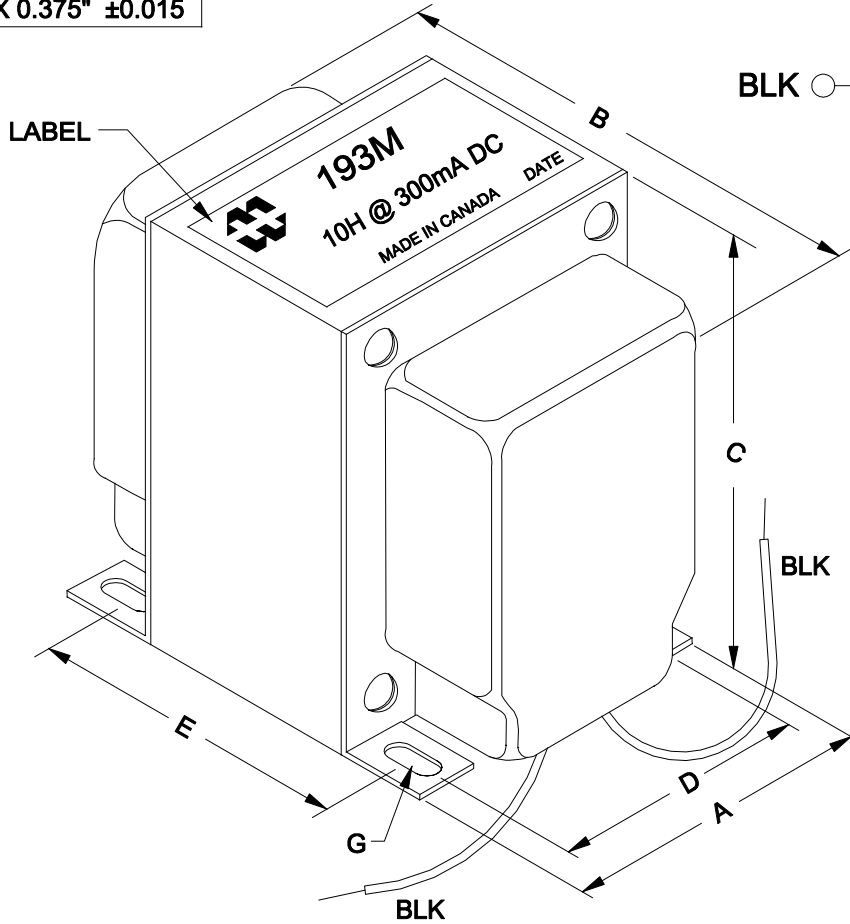
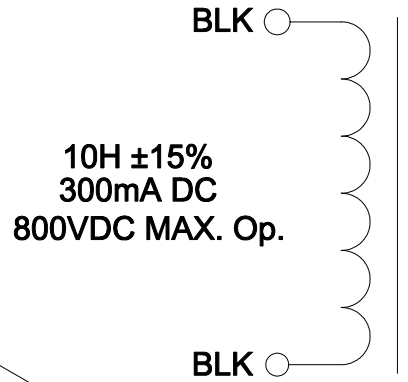


DIMENSIONS:	
A	3.750" ±0.063
B	4.436" ±0.125
C	4.530" ±0.063
D	3.000" ±0.063
E	3.313" ±0.063
G	0.203" X 0.375" ±0.015



NOTE: ALL LEADS 8" OUT MIN., STRIPPED .5"

ELECTRICAL DATA:		
TESTS	CONDITIONS	ACCEPTANCE CRITERIA
INDUCTANCE	@ 30V, 60Hz, 300mA DC, BLK - BLK	10H ±15%
DCR	@ 20°C, BLK - BLK =	63.0 Ω ±15%
HIPOT	PRIMARY - SECONDARY	2000V, 60Hz, 1 SEC

**HAMMOND**  
**MANUFACTURING**™

**ELECTRONIC DIVISION**  
52 RANKIN PLACE,  
WATERLOO, ONTARIO, N2J 3Z5  
PH # (519) 886-6181  
FAX # (519) 886-9540

TITLE

INDUCTOR

NO	DATE	REVISION	DWG. BY
0	10/06/15	RELEASED.	C.I.
			DATE
			10/06/15
			DIM IN(X)MM( )

193M